

AUSTIN CARRY-ALL TAG-A-LONG SERIES

Talbert
SINCE 1938

AC-20ART / AC3-25ART



**AC-20ART
AC3-25ART**



Pneumatically operated tilting deck and ramp design.

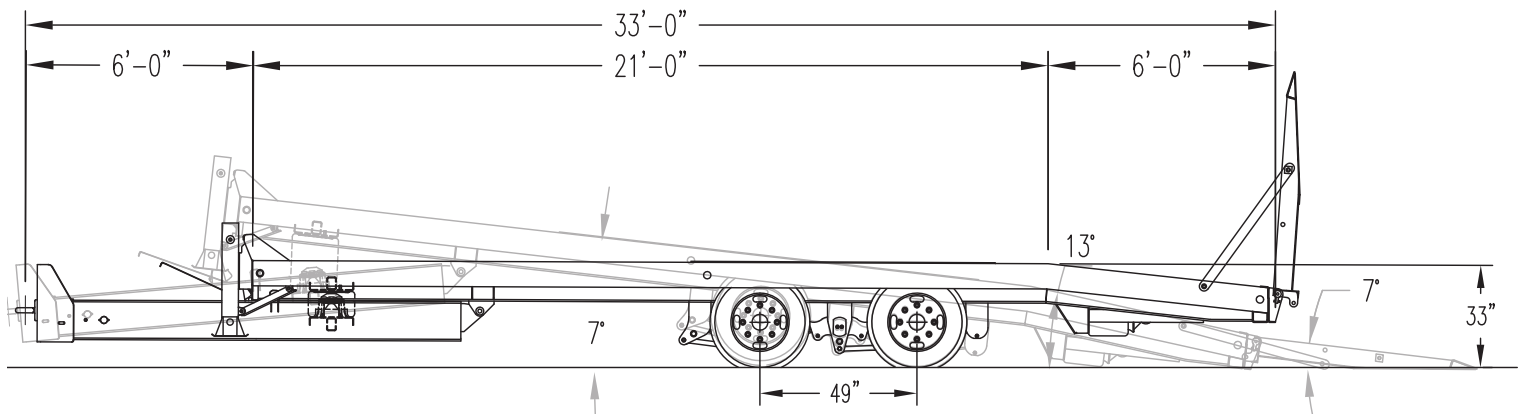


High-density Apitong wood-filled ramps.



Conveniently located, easy to use controls for raising and lowering trailer and ramps.

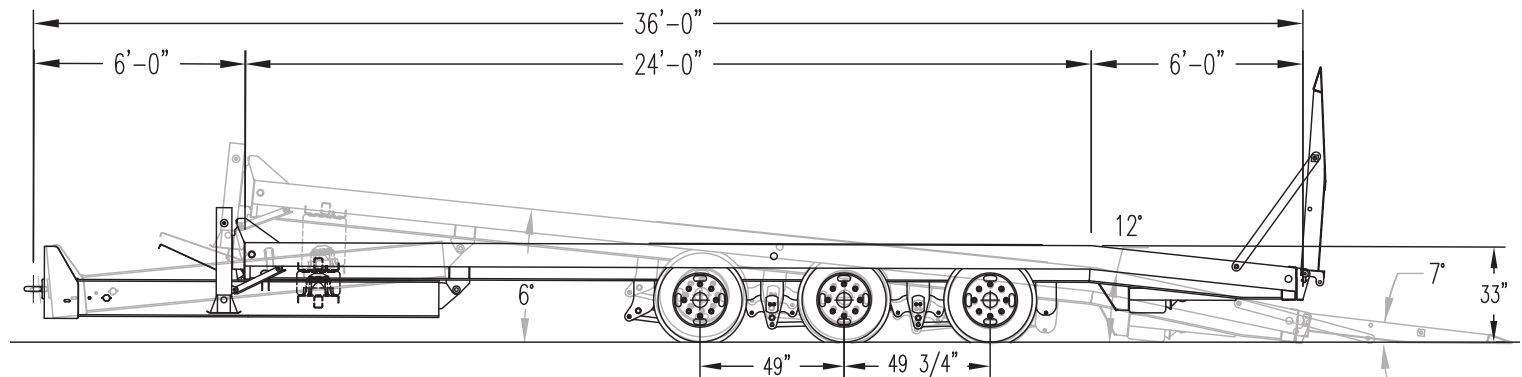
AC-20ART



- 40,000 lb. Capacity
- Adjustable 3 in. Pintle Eye
- Safety Chains With Hooks
- 25,000 lb. (2) Two-Speed Landing Leg
- Lockable Tool Box
- 8 in. Headboard
- Two (2) Air Bag, Air Tilt Deck Design
- 27 ft. 0 in. Deck (21 ft. 0 in. Flat, 6 ft. 0 in. Beavertail)
- 38" Wide by 6 ft. 0 in. Air Ramps with Wood Flooring
- 33" Loaded Deck Height
- Apitong Flooring
- Floor Plate Over Wheel Wells
- Tires: 215/75R17.5 (H)
- Wheels: Steel Disc Hub Piloted
- Air Brakes With 2S1M ABS
- Hutch Spring Suspension
- 5 Lash Rings Each Side
- Estimated Weight: 9,200 lbs.
- *Valspar* R-Cure 800 Red or Black Paint

Various Options Available Upon Request. Specifications Subject To Change Without Notice.

AC3-25ART



- 50,000 lb. Capacity
- Adjustable 3 in. Pintle Eye
- Safety Chains With Hooks
- 25,000 lb. (2) Two-Speed Landing Leg
- Lockable Tool Box
- 8 in. Headboard
- Two (2) Air Bag, Air Tilt Deck Design
- 30 ft. 0 in. Deck (24 ft. 0 in. Flat, 6 ft. 0 in. Beavertail)
- 38" Wide By 6 ft. 0 in. Air Ramps With Wood Flooring
- 33" Loaded Deck Height
- Apitong Flooring
- Floor Plate Over Wheel Wells
- Tires: 215/75R17.5 (H)
- Wheels: Steel Disc Hub Piloted
- Air Brakes With 2S1M ABS
- Hutch Spring Suspension
- 5 Lash Rings Each Side
- Estimated Weight: 12,540 lbs.
- *Valspar* R-Cure 800 Red or Black Paint

Various Options Available Upon Request. Specifications Subject To Change Without Notice.

Dealer:



Talbert Manufacturing Inc. \ 1628 W. State Road 114 \ Rensselaer IN 47978 \ 800-348-5232 \ Fax: 219-866-7060

sales@talbertmfg.com \ www.talbertmfg.com

0915 PUB 225A